

Connector SMA male for RG223 Coaxial Cable Crimp

PART NO: SMAM-RG223



GENERAL SPECIFICATIONS

CONNECTOR INTERFACE:
BODY STYLE:
INTERFACE ACCORDING TO:
SUITABLE CABLES:

SMA male
Straight
IEC60169-416
RG223

MATERIAL & PLATING

OUTER CONTACT:
CENTER CONTACT:
BACK NUT:
DIELECTRIC:

MATERIAL	PLATING
Brass	Nickel
Brass	Gold
Brass	Nickel
PTFE	

ELECTRICAL SPECIFICATIONS

IMPEDANCE:
FREQUENCY RANGE:
VSWR:
DIELECTRIC STRENGTH:
DIELECTRIC RESISTANCE:
INSERTION LOSS:
CENTER CONTACT RESISTANCE:
OUTER CONTACT RESISTANCE:

50 ohms
DC - 3Ghz
≤1,2
≥2500V RMS
≥5000MΩ
≤0.05dB (@3Ghz)
≤1,0mΩ
≤1,0mΩ

MECHANICAL SPECIFICATIONS

MATING CYCLES:
TERMINATION CABLE RETENTION:

≥500 times
≥450N

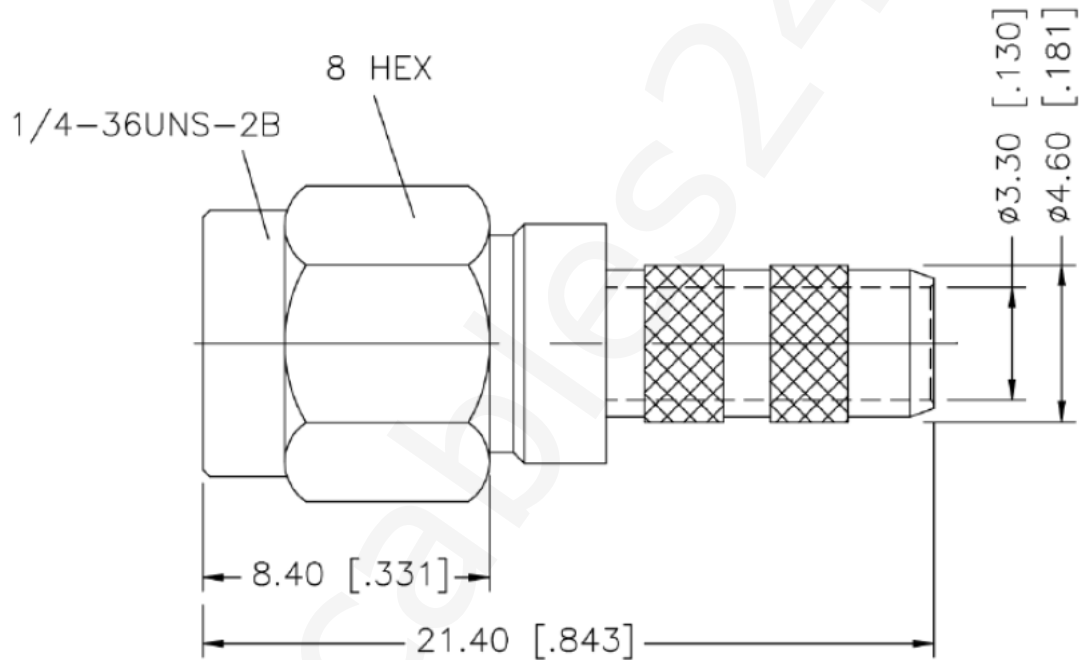
Connector SMA male for RG223 Coaxial Cable Crimp

ENVIRONMENTAL SPECIFICATIONS:

OPERATING TEMPERATURE:
STORAGE TEMPERATURE:
2002/95/EC (ROHS):

-40°C to 85°C
-55°C to 105°C
Compliant

DIMENSIONS:



Dimensions in millimeters [inch]

